

# opendesk



## Lean Desk – the original open source Opendesk

Our first foray into digital fabrication and distributed manufacturing, the Lean Desk is the original Opendesk. A flexible 4 person workstation, it was built for startups and established teams alike - and is popular for its spacious work surface.

Our Lean Desk has continuous central cable-management running the full length of the desk with slots for fixing monitor arms. There's ample room for extension leads, plug boards and chargers (including large Apple MacBook chargers). Removable cable covers hide messy wiring and keep your desk looking organised.

Our favourite Lean desk is 2400mm long and 1600mm wide with ample room for 4 people. Take advantage of our tailoring service and choose any length between 1200mm and 2400mm should you require something a little different.



**Designed and shared openly by:**

Joni Steiner

Nick Ierodiaconou

---

## Materials

All Opendesks are made from quality, FSC-certified baltic plywood. Coming from managed forestry it's good to know your desk was sustainably grown.

---

## License

### CC BY

You can use and adapt the design for any purpose, even commercially, as long as you credit the designer.

Under the following terms: <https://creativecommons.org/licenses/by/4.0/>

---

## Pricing

### Get quotes directly from makers near you:

- \* Request and receive quotes (typically within 48 hours)
  - \* Choose your preferred maker-quote and pay online
  - \* Receive your locally-made furniture direct from the maker
- 

## Designers



### Designed and shared openly by:

Joni Steiner

Nick Ierodiaconou

---

Joni is a qualified architect and designer with the YAYA shortlisted architecture and strategic design firm 00:/ (zero zero). Part of the TED Prize winning WikiHouse design team, he was Lead Designer for Bristol Urban Beach, offices for the Association of Photographers and the RIBA Award winning Manor Works enterprise & community centre in Sheffield. Joni developed the original range of open-source furniture for Mint Digital and Hub Westminster and continues to evolve this with Opendesk.

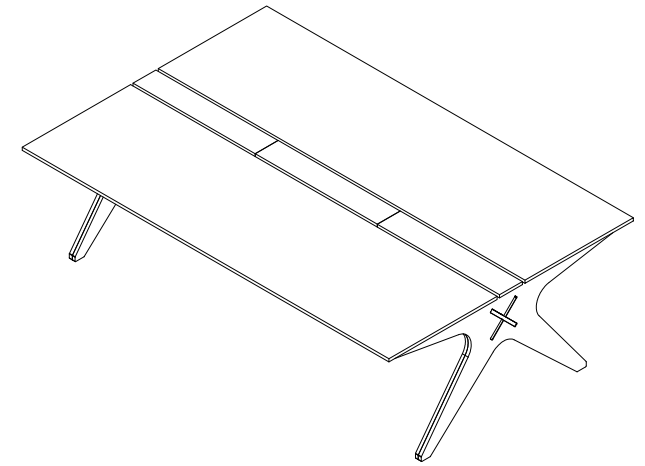
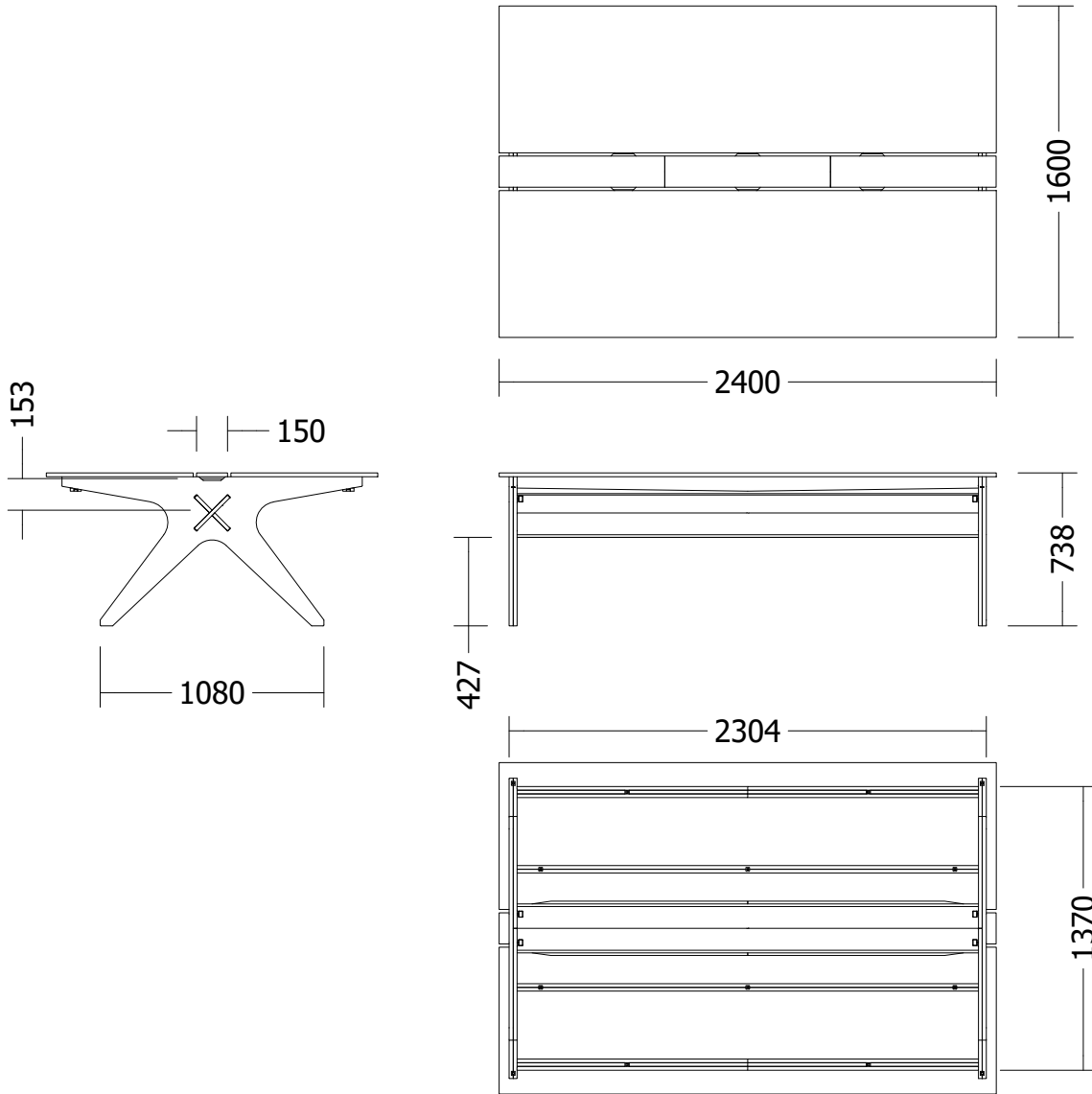
Despite his background working on cultural and civic projects, Joni likes nothing better than getting his hands dusty in a CNC shop.

---

Nick is Head of Product at Opendesk and co-designer of the original open source Lean Desk. He is also a co-founder of the TED Prize winning WikiHouse open source construction standard, co-founder and lead designer of the FabHub platform, and co-founder of The Civic Crowd.

As a fully qualified architect with the YAYA shortlisted and RIBA Award winning architecture and design firm 00 (zero zero), Nick has led and worked on various commercial and residential projects including the offices for the Association of Photographers and the RIBA Award winning Manor Works.

Nick has been guest speaker at various conferences and events including SketchUp's Basecamp 2014, the Open Hardware Summit 2014, Maker Faire 2013, and the Cambridge University Technology Ventures Conference 2013.



## Lean Desk

LEAN

Designed by Joni Steiner & Nick Ierodiaconou

PRODUCT CODE: LEN\_DSK\_STD\_1600x2400x738\_SA  
 DRAWING: Product General Arrangement  
 SCALE: 1/35  
 PUBLISH DATE: 30 / 06 / 2017  
 PRODUCT VERSION: V1\_0\_0